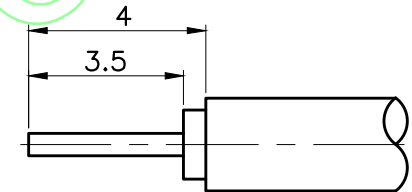
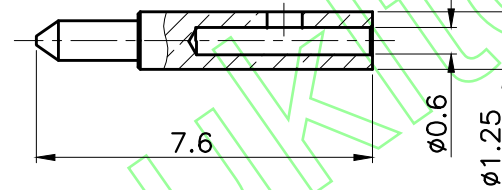
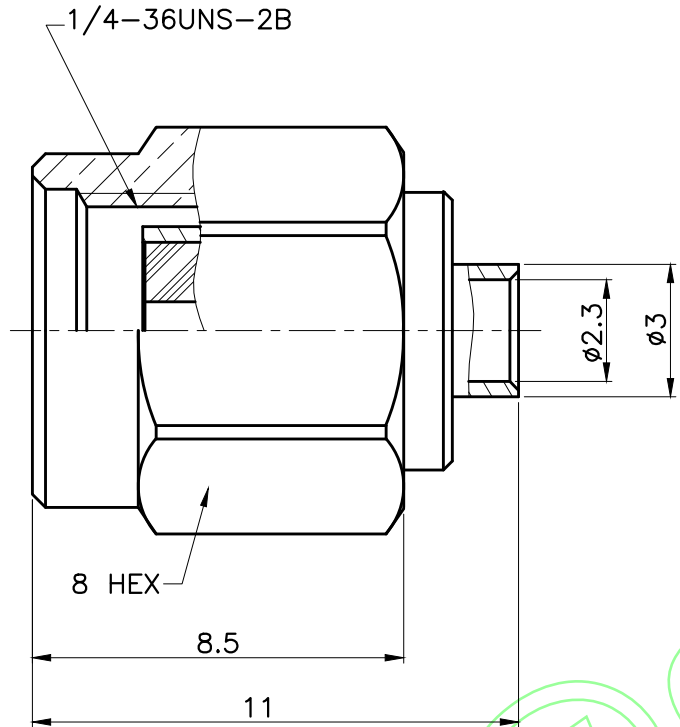


REVISIONS	
ISS	DESCRIPTION\DATE

RoHS COMPLIANT



RECOMMENDED
CABLE STRIPPING DIM'S

CONNECTORS CABLES

CCS

SPECIALISTS LTD.

TITLE: SMA MALE (FOR .085 SEMI RIGID)

PART NO: SMAPUT085

DRAWING NO:

APRD:

CHKD:

DR:

DATE: 03/22/16"

SHEET: .

UNLESS OTHERWISE
SPECIFIED TOLERANCES
0.5-6 = ± 0.2
>6-30 = ± 0.4
>30-120 = ± 0.6
>120-315 = ± 1
>315-1000 = ± 1.6
ANGLES = $\pm 5^\circ$

UNIT: mm

SCALE: 6/1

NO.	DESCRIPTION	MATERIAL	FINISH
	CONTACT PIN	BRASS	GOLD
	BODY	BRASS	GLD
	C RING	STAINLESS STEEL	
	GASKET	SILICONE	
	INSULATOR	TEFLON	WHITE
	SHELL	BRASS	GOLD